

Thank you for purchasing your new Skimz Protein Skimmer that provides optimum performance with maximum safety and reliability.

Model	Skimmer Pump	*Air Intake (L/h)	*Total Watts	For Aquarium	Controller
SL187	QPS4.0	900-1,200	12-19	up to 1,200 L	QPC55
SL207	QPS6.0	1,200-1,920	17-31	up to 2,000 L	
SL257	QPS9.0	1,800-2,220	33-41	up to 3,000 L	QPC110
SL307	2 x QPS6.0	2,400-3,840	34-62	up to 5,000 L	QPC55

*Note: These values may vary, depending on the water level in the sump.

SAFETY INSTRUCTIONS

Check that the voltage shown on the label of the pump corresponds to the voltage of the main supply.

Disconnect all electrical appliances from the main before placing your hands in the water.

The pump is protected against overheating. Never allow the pump to run dry.

MAINTENANCE

It is recommended to clean the pumps every 3 months. Check and clean the impeller, and if necessary soak the pump and impeller in white vinegar to dissolve any calcium deposits.

WARRANTY POLICY

AAP Marketing Pte Ltd (Company) warrants this product to the original purchaser against defective material and workmanship that occurs during normal use of the body for two (2) years and one (1) year warranty on the pump. Company will, at Company's option, either repair or replace without charge.

PRODUCTS COVERED BY WARRANTY

All Skimz equipment is covered by warranty from the date of purchase.

To be effective, register your product at: www.skimz.sg, product warranty within 14 days of the product's purchase date.

Exclusions:

Damage resulting from accident, misuse, lack of reasonable care, subjecting the product to abnormal working conditions or any other failure not resulting from defects in materials or workmanship.

Damage caused by tampering, modification or attempted repair by anyone other than the Company.

Transfer of product to someone other than the original purchaser.

Bring the product to your nearest Skimz dealer or ship the product, together with a copy of the purchase receipt or other evidence of purchase to:

AAP Marketing Pte Ltd
 5 Ang Mo Kio Industrial Park 2A
 #04-30 AMK Tech II
 Singapore 567760

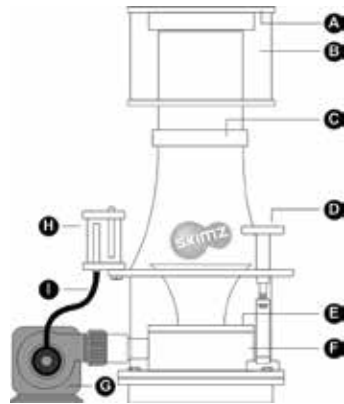
You must pay any postage, shipping charges, insurance costs and other expenses to return the product to AAP. However, if the necessary repairs are covered by the warranty, Company will pay the return shipping charges.

QUICK INSTALLATION GUIDE



PROTEIN SKIMMER
 SL187 • SL207 • SL257 • SL307

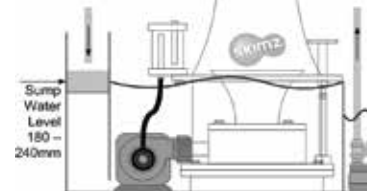




- A. Lid for collection cup
- B. Collection cup
- C. Twist-lock fitting (Bayonet)
- D. Micro-adjustable valve
- E. Bubble plate lid
- F. Bubble plate chamber
- G. Skimmer pump
- H. Air intake silencer
- I. Air tube

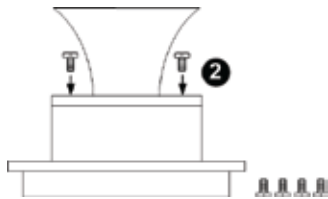
STEP 3

1. Position the skimmer in the sump.
2. For optimal performance, the water in the sump should be between 180 and 240mm.
3. An auto water top up system or a separate skimmer compartment in the sump is recommended to maintain the water level and skimmer consistency. Fluctuations in water level will affect the performance.



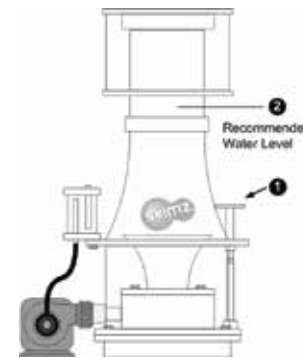
STEP 1

1. Detach the skimmer body by removing the thumbscrews.
2. Ensure that the bubble plate lid is properly attached to the bubble plate chamber and tighten the thumbscrews.



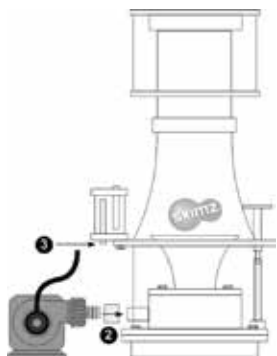
STEP 4

1. Ensure that the micro-adjustable valve is fully opened and start the skimmer pump.
2. Close the micro-adjustable valve until the skimmer water level is between the bayonet and bottom of the collection cup.
3. If necessary, set DC controller to reduce the water intake and leave it to settle down for a day or so (initial break-in period).
4. When foam formation begins after break-in period, fine adjustment to the skimmer can be done via adjustment of DC controller and micro-adjustable valve for optimum performance.



STEP 2

1. Reattach the skimmer body and tighten the thumbscrews.
2. Insert the skimmer pump to the skimmer body.
3. Assemble the air intake silencer and connect the air tube as shown in the diagram.



STEP 5

1. Wet skimmate is the thin light green tea-coloured collected and dry skimmate is the thick concentrated. For wet skimmate, air is increased and water column height is adjusted to 3 or 4cm above the recommended level. This will fill the collection cup up fast. For dry skimmate, air is reduced and water column is adjusted to recommended level.
2. Skimmer can be operated with ozone up to max. 50 mg/h per pump via a suitable silicon hose. The guideline for ozone dosing is 5 to 10 mg/h for each 100 L of aquarium water. Install a T-joint to the skimmer pump air inlet. Run one side of the T to the ozone unit and the other to air intake silencer. You can adjust the air intake tap to produce sufficient suction on the ozone side to pull the ozone into the skimmer passively.

